

# Integrated Sample Port Fittings

Upgrade Existing Lines with Integrated Sample Ports for Best Practice Sampling



[hyprofiltration.com/](http://hyprofiltration.com/)



## Best practice sampling.

Every sample port fitting comes assembled straight from the factory to ensure best practice samples are easier than ever. The fittings are set up to pull fluids directly from the center of flow through the angle cut pitot tube, providing consistently accurate readings.

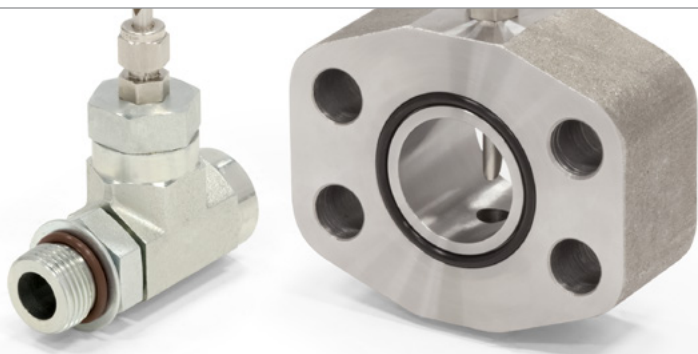


## Easy integration.

Designed to be integrated into existing lines with incredible ease, the Hy-Pro Sample Port Fittings provide access to hydraulic and lube oil sampling where previously thought impossible.

## Unmistakably accurate.

The down tube on each sample port fitting is laser etched to clearly indicate the position of the angle cut on the tube. Ensuring correct alignment and flow direction is easier than ever and with proper sampling procedure, you'll be pulling consistently accurate samples every time.



## Flange or straight thread options.

Accurate and trend-able oil analysis has never been easier. Simply decouple the connection, add in your new fitting and reconnect, then get to work properly trending your fluid cleanliness. And with numerous connection types and sizes, there's a sample port fitting available for all of your applications.

## Add-On kit

For applications with existing ports in place, the Add-On configuration delivers a seamless addition without the need to hassle with plumbing. Configured with the exact length and adapter for your existing pipe and port setup, the Add-On is the easiest way to make proper sampling a part of your maintenance plan.

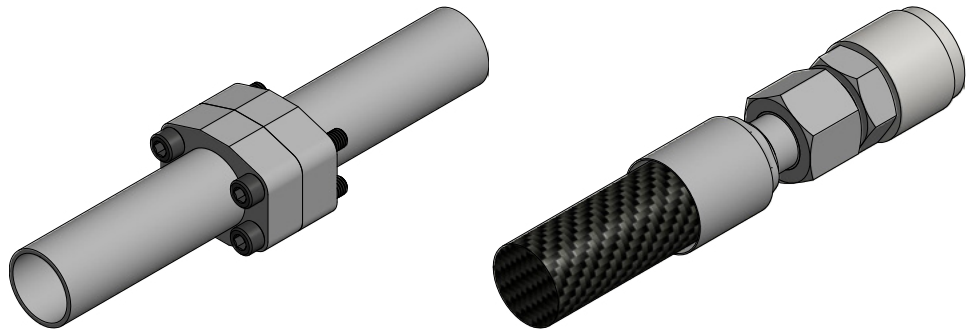


## Sample port options

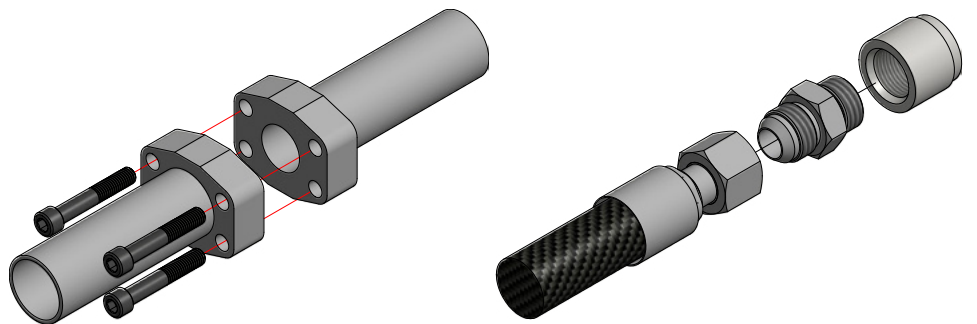
Sample port valves come in a variety of options to fit your preferences and system requirements. From low pressure ball valves suitable for high viscosity/low pressure lube apps to Minimess® for high pressure hydraulics, you'll get the perfect solution no matter your application.

# Installation's never been easier.

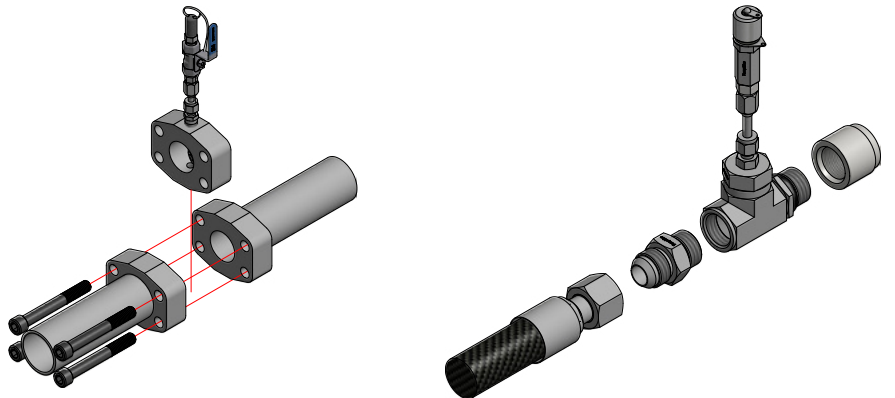
Step 1: Locate the connection in which to install your sample port fitting.



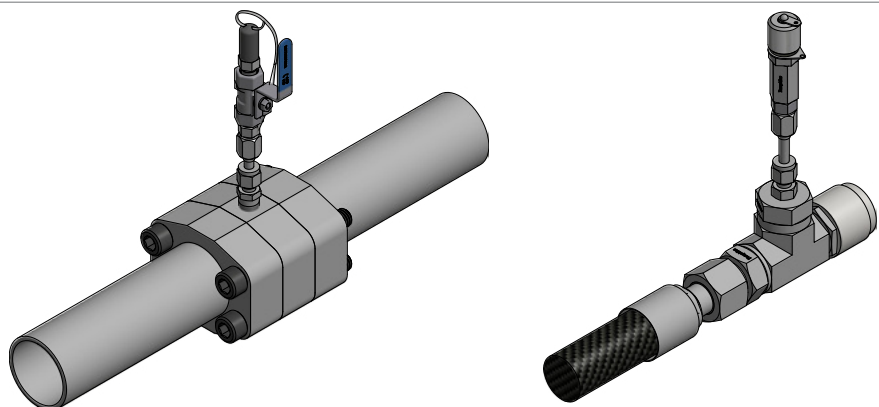
Step 2: Decouple the connection.



Step 3: Insert Sample Port Fitting into connection using extended bolts (Sandwich Plate models) or existing adapters (T-Fitting models).



Step 4: Reconnect and tighten all fittings and hardware.



# Add-On Kit Reference Guide

FTG-SAM-ASN6-FN12B-32-0

Swivel 90 with 6" (15 cm) nylon hose

1/4" ball valve with powder coated handle

Laser engraved alignment arrow

Adapter for installation to existing port

Angle cut pitot tube aligned to center of existing pipe

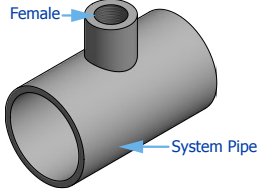
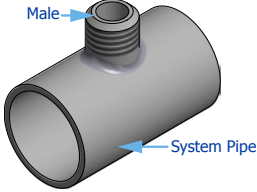


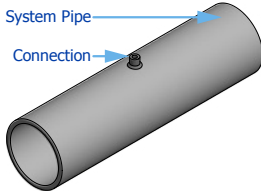
# Add-On Kit Part Number Builder



Sample Port Valve	Description	Operating Pressure
<b>BV</b>	1/4" Ball valve with 1/4" MJIC sample port and dust cap	< 450 psi (31 bar)
<b>SN</b>	1/4" Ball valve with Swivel 90 and nylon hose	< 450 psi (31 bar)
<b>TP</b>	Minimess® Test Point	≥ 450 psi (31 bar)

Nylon Hose Length SN sample valve only	omit	Description	Operating Pressure
<b>6</b>		6 in (15.2 cm)	<b>22</b> 22 in (55.9 cm)
<b>8</b>		8 in (20.3 cm)	<b>24</b> 24 in (61 cm)
<b>10</b>		10 in (25.4 cm)	<b>26</b> 26 in (66 cm)
<b>12</b>		12 in (30.5 cm)	<b>28</b> 28 in (71.1 cm)
<b>14</b>		14 in (35.6 cm)	<b>30</b> 30 in (76.2 cm)
<b>16</b>		16 in (40.6 cm)	<b>32</b> 32 in (81.3 cm)
<b>18</b>		18 in (45.7 cm)	<b>34</b> 34 in (86.4 cm)
<b>20</b>		20 in (50.8 cm)	<b>36</b> 36 in (91.4 cm)

Existing Port Thread Orientation	F	M	Female	Male
				

Connection Type	G	J	N	S	G thread (BSPP)	JIC	NPT	SAE
								

Connection Size	4	8	12	16	20	24	32
	1/4"	1/2"	3/4"	1"	1 1/4"	1 1/2"	2"

Seal	B	E	V	Nitrile (Buna)	EPR	Fluorocarbon

Special Options	S	T1	T2	Stainless steel	1/4" T fitting with gauge port + isolation ball valve	1/4" T fitting with gauge port and transducer connection + isolation ball valves

System Pipe Diameter	4	8	12	16	20	24	32	40	48	64	80	96	112	128
	1/4"	1/2"	3/4"	1"	1 1/4"	1 1/2"	2"	2.5"	3"	4"	5"	6"	7"	8"

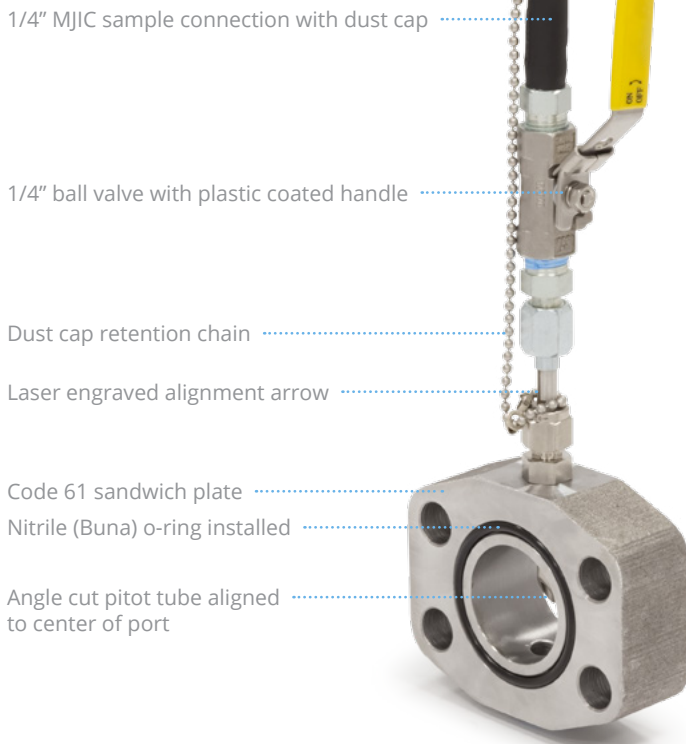


Approx Port Extension Length	0	4	8	12	16	20	24	32	40	48	64	80	96	112	128
	0"	1/4"	1/2"	3/4"	1"	1 1/4"	1 1/2"	2"	2.5"	3"	4"	5"	6"	7"	8"



# Reference Guide

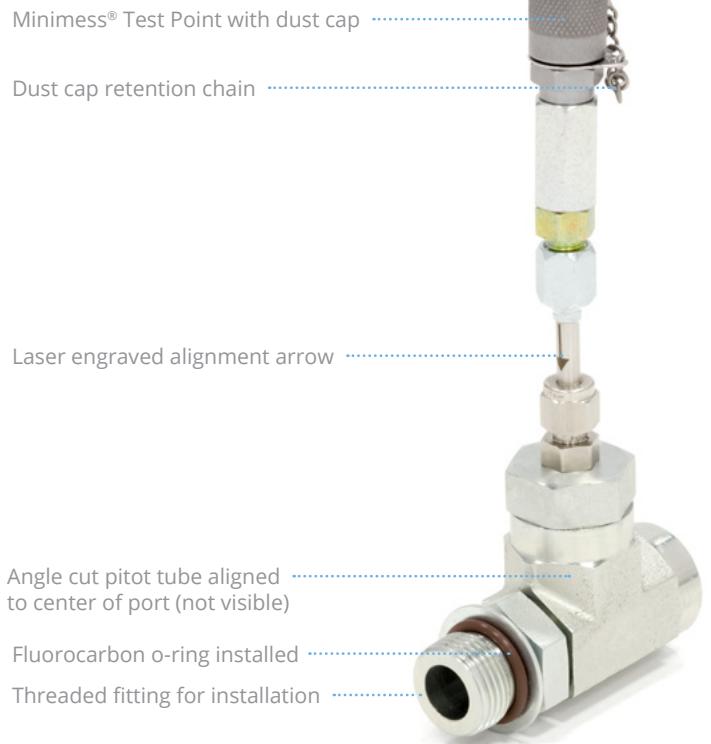
## FTG-SAM-SUBV-F24B



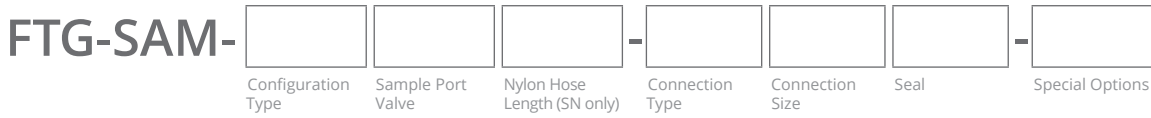
### Not pictured:

Extended bolts: hardware supplied to be Grade 8, equivalent, or higher.

## FTG-SAM-TTP-S16V



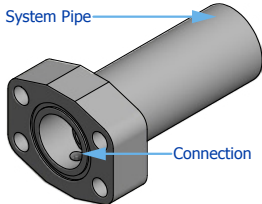
# Part Number Builder



Configuration Type	<b>SM</b>	Sandwich plate with Metric bolts included (Grade 8, equivalent, or higher fasteners supplied)
	<b>SU</b>	Sandwich plate with US standard/Imperial bolts included (Grade 8, equivalent, or higher fasteners supplied)
	<b>T</b>	In-line "T" fitting

Sample Port Valve	Description	Operating Pressure
<b>BV</b>	1/4" Ball valve with 1/4" MJIC sample port and dust cap	< 450 psi (31 bar)
<b>SN</b>	1/4" Ball valve with Swivel 90 and nylon hose	< 450 psi (31 bar)
<b>TP</b>	Minimess® Test Point	≥ 450 psi (31 bar)

Nylon Hose Length SN sample valve only	omit	BV or TP Sample Valves	22	22 in (55.9 cm)
	<b>6</b>	6 in (15.2 cm)		<b>24</b>
<b>8</b>	8 in (20.3 cm)		<b>26</b>	26 in (66 cm)
<b>10</b>	10 in (25.4 cm)		<b>28</b>	28 in (71.1 cm)
<b>12</b>	12 in (30.5 cm)		<b>30</b>	30 in (76.2 cm)
<b>14</b>	14 in (35.6 cm)		<b>32</b>	32 in (81.3 cm)
<b>16</b>	16 in (40.6 cm)		<b>34</b>	34 in (86.4 cm)
<b>18</b>	18 in (45.7 cm)		<b>36</b>	36 in (91.4 cm)
<b>20</b>	20 in (50.8 cm)			

Connection Type	"SM" + "SU" Configurations		"T" Configuration	
	<b>A</b>	ANSI flange		<b>G</b>
<b>C</b>	Code 62 flange		<b>J</b>	JIC
<b>F</b>	Code 61 flange		<b>N</b>	NPT
			<b>S</b>	SAE

Connection Size	4	1/4"
<b>8</b>	1/2"	
<b>12</b>	3/4"	
<b>16</b>	1"	
<b>20</b>	1 1/4"	
<b>24</b>	1 1/2"	
<b>32</b>	2"	

Seal	<b>B</b>	Nitrile (Buna)
	<b>E</b>	EPR
	<b>V</b>	Fluorocarbon

Special Options	<b>S</b>	Stainless steel
	<b>T1</b>	1/4" T fitting with gauge port + isolation ball valve
	<b>T2</b>	1/4" T fitting with gauge port and transducer connection + isolation ball valves

Minimess® is a registered trademark of Hydrotechnik GMBH.



# Take control of your oil analysis.

## Hy-Pro Integrated Sample Port Fittings

**Want to find out more? Get in touch.**

hyprofiltration.com  
info@hyprofiltration.com  
+1 317 849 3535

© 2017 Hy-Pro Corporation. All rights reserved.



MKTLITACC-FTGSAM-030217-BC