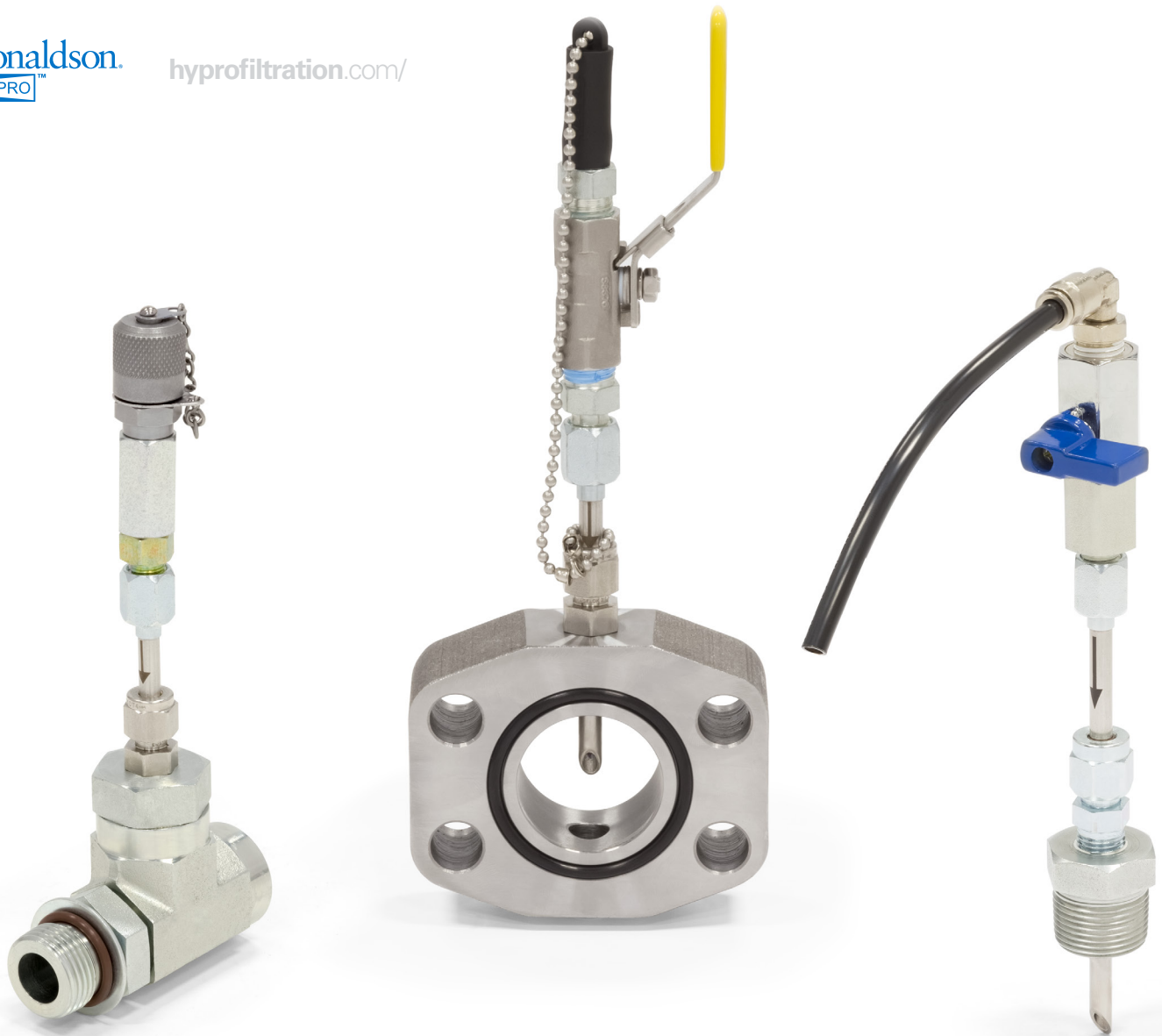


Integrated Sample Port Fittings

Upgrade Existing Lines with Integrated Sample Ports for Best Practice Sampling

Donaldson.
HY-PRO™

hyprofiltration.com/



Best practice sampling.

Every sample port fitting comes assembled straight from the factory to ensure best practice samples are easier than ever. The fittings are set up to pull fluids directly from the center of flow through the angle cut pitot tube, providing consistently accurate readings.

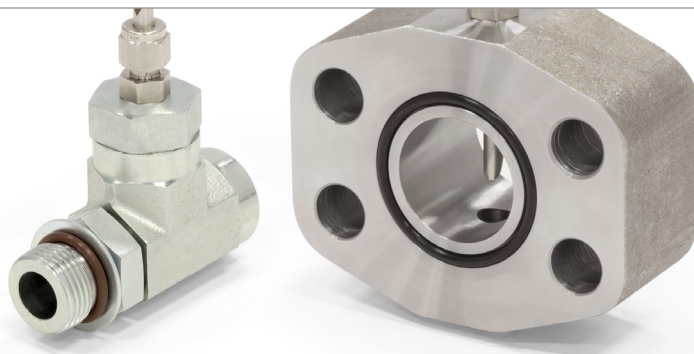


Easy integration.

Designed to be integrated into existing lines with incredible ease, the Donaldson Hy-Pro Sample Port Fittings provide access to hydraulic and lube oil sampling where previously thought impossible.

Unmistakably accurate.

The down tube on each sample port fitting is laser etched to clearly indicate the position of the angle cut on the tube. Ensuring correct alignment and flow direction is easier than ever and with proper sampling procedure, you'll be pulling consistently accurate samples every time.

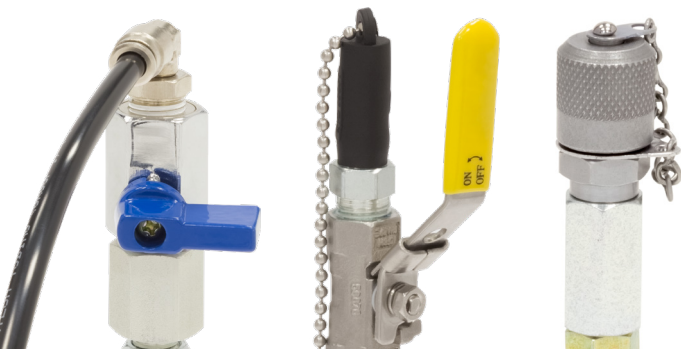


Flange or straight thread options.

Accurate and trend-able oil analysis has never been easier. Simply decouple the connection, add in your new fitting and reconnect, then get to work properly trending your fluid cleanliness. And with numerous connection types and sizes, there's a sample port fitting available for all of your applications.

Add-On kit

For applications with existing ports in place, the Add-On configuration delivers a seamless addition without the need to hassle with plumbing. Configured with the exact length and adapter for your existing pipe and port setup, the Add-On is the easiest way to make proper sampling a part of your maintenance plan.

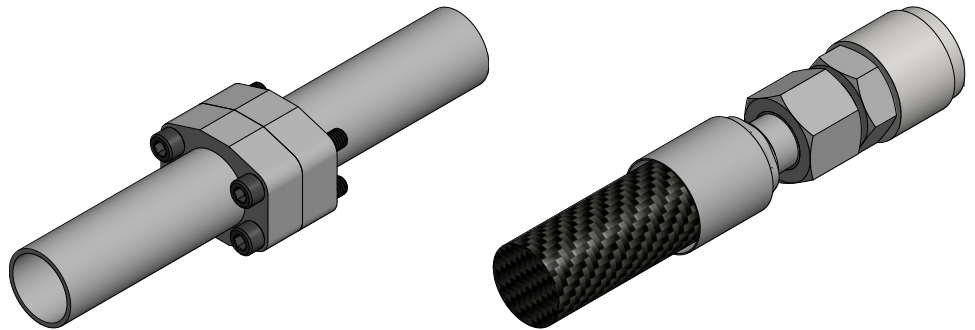


Sample port options

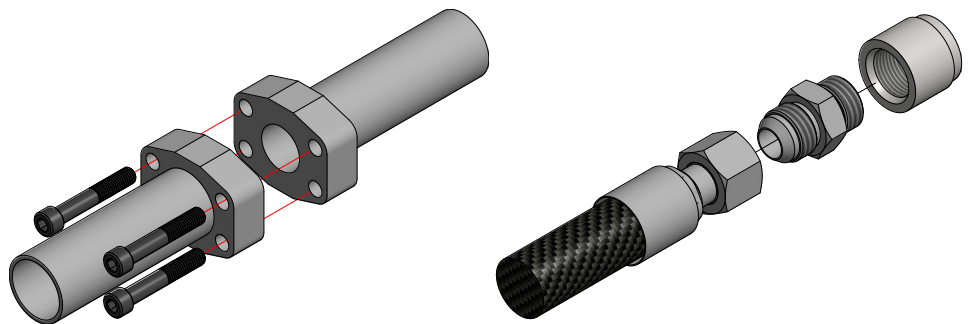
Sample port valves come in a variety of options to fit your preferences and system requirements. From low pressure ball valves suitable for high viscosity/low pressure lube apps to Minimes® for high pressure hydraulics, you'll get the perfect solution no matter your application.

Installation's never been easier.

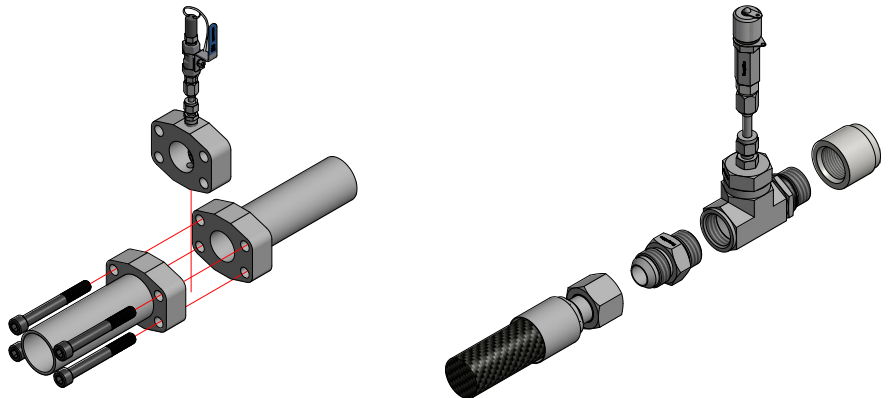
Step 1: Locate the connection in which to install your sample port fitting.



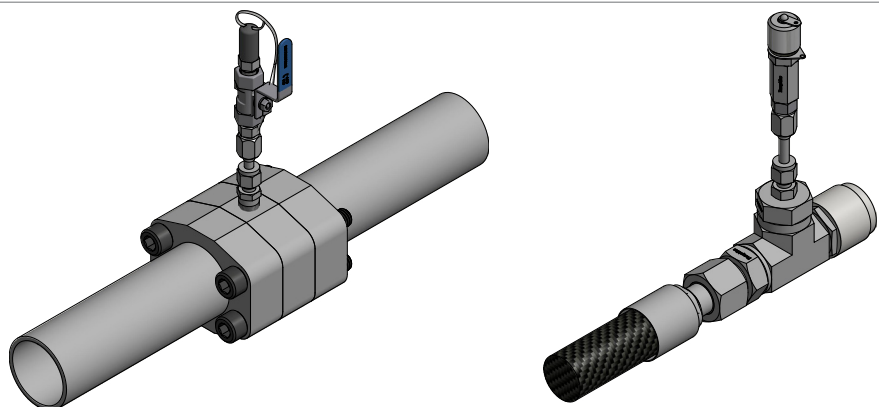
Step 2: Decouple the connection.



Step 3: Insert Sample Port Fitting into connection using extended bolts (Sandwich Plate models) or existing adapters (T-Fitting models).



Step 4: Reconnect and tighten all fittings and hardware.



Reference Guide

Add-On Kit

FTG-SAM-ASN6-FN12B-32-0

Swivel 90 with 6" (15 cm) nylon hose

1/4" ball valve with powder coated handle

Laser engraved alignment arrow

Adapter for installation to existing port

Angle cut pitot tube aligned to center of existing pipe



FTG-SAM-SUBV-F24B

1/4" MJIC sample connection with dust cap

1/4" ball valve with plastic coated handle

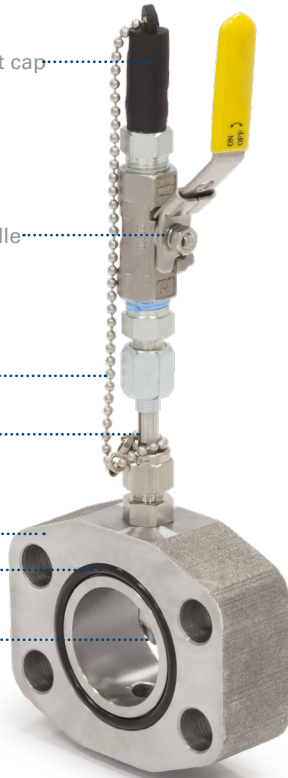
Dust cap retention chain

Laser engraved alignment arrow

Code 61 sandwich plate

Nitrile (Buna) o-ring installed

Angle cut pitot tube aligned to center of port



FTG-SAM-TTP-S16V

Minimess® Test Point with dust cap

Dust cap retention chain

Laser engraved alignment arrow

Angle cut pitot tube aligned to center of port (not visible)

Fluorocarbon o-ring installed

Threaded fitting for installation



Not pictured:

Extended bolts: hardware supplied to be Grade 8, equivalent, or higher.

Add-On Kit Part Number Builder

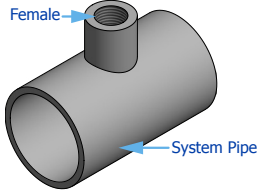
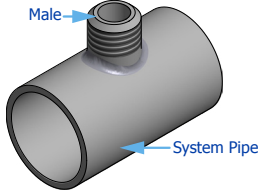
**FTG-
SAM-A**

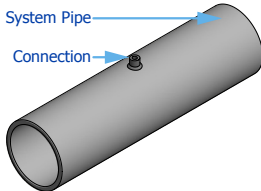
		-					-		-	
--	--	---	--	--	--	--	---	--	---	--

Sample Port Valve	Nylon Hose Length (SN only)	Thread Orientation	Connection Type	Connection Size	Seal	Special Options	Nominal Pipe Size	Port Extension
-------------------	-----------------------------	--------------------	-----------------	-----------------	------	-----------------	-------------------	----------------

Sample Port Valve	Description	Operating Pressure
BV	1/4" Ball valve with 1/4" MJIC	< 450 psi (31 bar)
SN	sample port and dust cap	< 450 psi (31 bar)
TP	1/4" Ball valve with Swivel 90 and nylon hose Minimes® Test Point	≥ 450 psi (31 bar)

Nylon Hose Length SN sample valve only	omit			
6	BV or TP Sample Valves	22	22 in (55.9 cm)	
8	6 in (15.2 cm)	24	24 in (61 cm)	
10	8 in (20.3 cm)	26	26 in (66 cm)	
12	10 in (25.4 cm)	28	28 in (71.1 cm)	
14	12 in (30.5 cm)	30	30 in (76.2 cm)	
16	14 in (35.6 cm)	32	32 in (81.3 cm)	
18	16 in (40.6 cm)	34	34 in (86.4 cm)	
20	18 in (45.7 cm)	36	36 in (91.4 cm)	
	20 in (50.8 cm)			

Existing Port Thread Orientation			
F	Female		
M	Male		

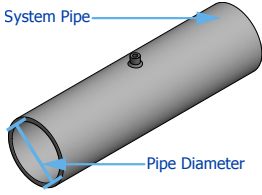
Connection Type			
G	G thread (BSPP)		
J	JIC		
N	NPT		
S	SAE		

Connection Size			
4	1/4"	20	1 1/4"
8	1/2"	24	1 1/2"
12	3/4"	32	2"
16	1"		

Seal		
B	Nitrile (Buna)	
E	EPR	
V	Fluorocarbon	

Special Options		
S	Stainless steel	
T1	1/4" T fitting with gauge port + isolation ball valve	
T2	1/4" T fitting with gauge port and transducer connection + isolation ball valves	

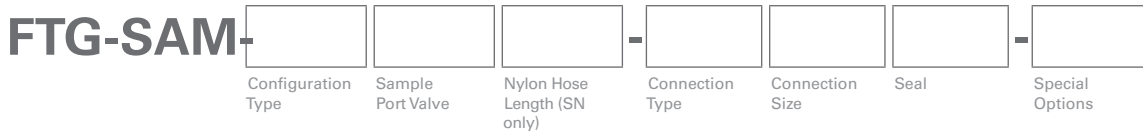
System Pipe Diameter			
4	1/4"	40	2.5"
8	1/2"	48	3"
12	3/4"	64	4"
16	1"	80	5"
20	1 1/4"	96	6"
24	1 1/2"	112	7"
32	2"	128	8"



Approx Port Extension Length			
0	0"	40	2.5"
4	1/4"	48	3"
8	1/2"	64	4"
12	3/4"	80	5"
16	1"	96	6"
20	1 1/4"	112	7"
24	1 1/2"	128	8"
32	2"		



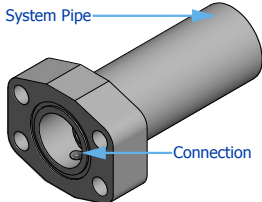
Part Number Builder



Configuration Type	SM	Sandwich plate with Metric bolts included (Grade 8, equivalent, or higher fasteners supplied)
	SU	Sandwich plate with US standard/Imperial bolts included (Grade 8, equivalent, or higher fasteners supplied)
	T	In-line "T" fitting

Sample Port Valve	Description		Operating Pressure
	BV	1/4" Ball valve with 1/4" MJIC	
SN	sample port and dust cap		< 450 psi (31 bar)
TP	1/4" Ball valve with Swivel 90 and nylon hose Minimesse® Test Point		≥ 450 psi (31 bar)

Nylon Hose Length SN sample valve only	omit	BV or TP Sample Valves	22	22 in (55.9 cm)
	6	6 in (15.2 cm)		24
8	8 in (20.3 cm)		26	26 in (66 cm)
10	10 in (25.4 cm)		28	28 in (71.1 cm)
12	12 in (30.5 cm)		30	30 in (76.2 cm)
14	14 in (35.6 cm)		32	32 in (81.3 cm)
16	16 in (40.6 cm)		34	34 in (86.4 cm)
18	18 in (45.7 cm)		36	36 in (91.4 cm)
20	20 in (50.8 cm)			

Connection Type	"SM" + "SU" Configurations		"T" Configuration		
	A	ANSI flange		G	G thread (BSPP)
C	Code 62 flange		J	JIC	
F	Code 61 flange		N	NPT	
			S	SAE	

Connection Size	4	1/4"
	8	1/2"
	12	3/4"
	16	1"
	20	1 1/4"
	24	1 1/2"
	32	2"

Seal	B	Nitrile (Buna)
	E	EPR
	V	Fluorocarbon

Special Options	S	Stainless steel
	T1	1/4" T fitting with gauge port + isolation ball valve
	T2	1/4" T fitting with gauge port and transducer connection + isolation ball valves

Minimesse® is a registered trademark of Hydrotechnik GMBH.